

## Installation-Surface Mounting

1. Do not remove any part of the fixture.
2. Specification please see the label on fixture.
3. Use expansion bolts to secure the fixture on mounting surface.
4. Keep enough length wires to ensure adjusting angle unhindered.
5. Connect wires into wiring terminal; White wire to "Neutral" terminal, Black wire to "Live" terminal, yellow/green wire to "Ground" terminal; and fix them by screws.
6. Terminal block to be used shall conform to UL standard; and shall be specified as following:
  - the type of terminal: screw/screwless;
  - number of terminals: 3 poles;
  - rated voltage: Min. 277V;
  - rated connecting capacity: Min. 18AWG;
  - any necessary preparation of the ends of conductors: the length of exposed ends of conductors shall not more than 8 mm;
  - any fixing method: fixed inside the connecting box.
7. Please mention the main specification as following before wiring.
8. This product can be installed on the ground.

## Warning

1. Before starting use of the light, please check if the light was damaged during transportation. If any damage shown, please do not install or use it.
2. The products itself and all its components should not be mechanically stressed.
3. Installation must not damage or destroy conducting paths or other parts of the product.
4. Installation of LED product (with power supplies) needs to be made with regard to all applicable electrical and safety standards. Only qualified personnel should be allowed to perform installations.
5. Correct electrical polarity needs to be observed. Wrong polarity may damage or destroy the LED products.
6. If fixing on metallic or otherwise conductive surfaces, there should be an electrical insulator between the product and the mounting surface.
7. All LEDs are static sensitive. Precautions should be taken to ensure that LEDs are well protected from ESD during handling, even though the chips are safe in low static-electric discharge events.
8. DO NOT operate LEDs in reverse bias.
9. Damaged by corrosion will not be honored as a materials defect claim. It is the user's responsibility to provide suitable protection against corrosive agents such as moisture and condensation and other harmful elements.
10. Identify Positive (+) and negative (-) outputs of the power supply by using a multimeter.
11. Electrical connection should be in a dry area unless adequately sealed.
12. This product series emits high light output. DO NOT look directly into the light emitting area. Direct exposure to the light over an extended time period may harm eyes.
13. If the external flexible cable or cord of this luminaire is damaged, it shall be exclusively replaced by the manufacturer or his service agent or a similar qualified person in order to avoid a hazard.

<b>1</b>	<b>MIN 105°C SUPPLY CONDUCTORS</b>	<b>LES FILS D'ALIMENTATION 105°C MIN</b>
<b>2</b>	<b>SUITABLE FOR WET LOCATIONS</b>	<b>CONVIENT AUX EMPLACEMENTS MOUILLÉS</b>
<b>3</b>	<b>CAUTION - RISK OF FIRE CAUTION - RISK OF SHOCK</b>	<b>ATTENTION – RISQUE D'INCENDIE ATTENTION – RISQUE DE CHOC</b>
<b>4</b>	<b>THIS PRODUCT MUST BE INSTALLED IN ACCORDANCE WITH THE APPLICABLE INSTALLATION CODE BY A PERSON FAMILIAR WITH THE CONSTRUCTION AND OPERATION OF THE PRODUCT AND THE HAZARDS INVOLVED</b>	<b>CE PRODUIT DOIT ÊTRE INSTALLÉ SELON LE CODE D'INSTALLATION PERTINENT, PAR UNE PERSONNE QUI CONNAÎT BIEN LE PRODUIT ET SON FONCTIONNEMENT AINSI QUE LES RISQUES INHÉRENTS</b>

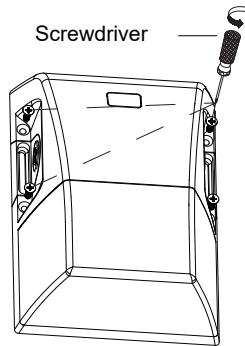


### Correct Disposal of this product

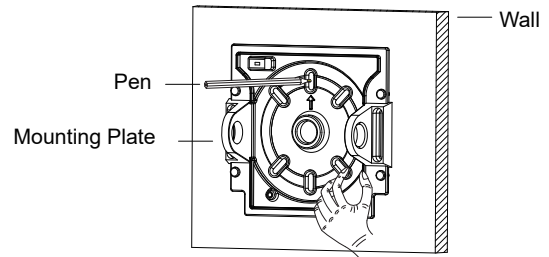
This marking indicates that this product should not be disposed with other household wastes throughout the EU. To prevent possible harm to the environment or human health from uncontrolled waste disposal, recycle it responsibly to promote the sustainable reuse of material resources. To return your used device, please use the return and collection systems or contact the retailer where the product was purchased. They can take this product for environmental safe recycling.

# Installation Instruction

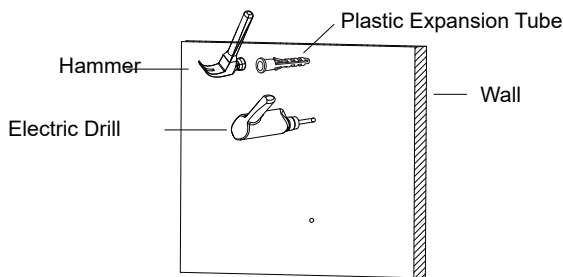
1 Disassemble the fixing screws of the lamp mounting plate with a screwdriver and remove the mounting plate;



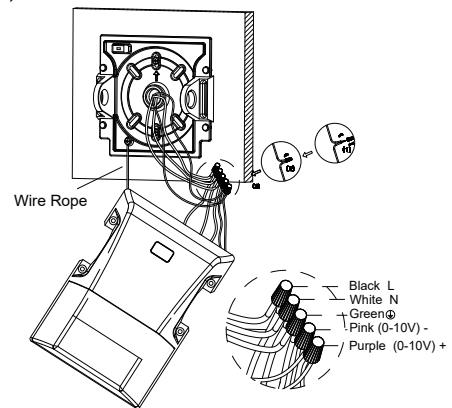
2 After knocking out the mounting holes with a hammer (at least 2 mounting holes and they should be in a symmetrical position), press the bracket on the wall with your hand and mark with the pen at the mounting screw position;



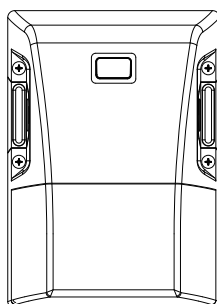
3 Use the electric drill to punch the hole at the mark position  $\text{Ø}8\text{mm}$ , depth 40mm; and use a hammer to drive the plastic expansion tube into the hole;



4 Fix the bracket with a screwdriver, and fix the fixture installation wire rope on the mounting plate, connect the cable as shown and do a good waterproof treatment;

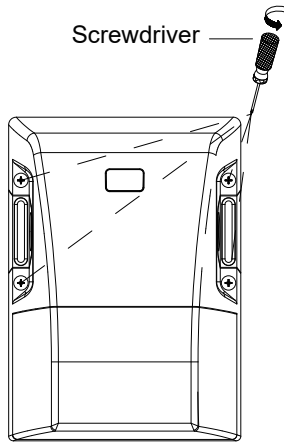


5 Put the lamp back on the mounting plate and secure the screws to complete the installation.

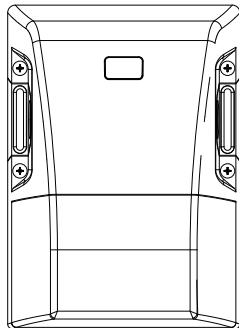


## Instruction for Adjusting Wattage and CCT of Mini Wall Pack

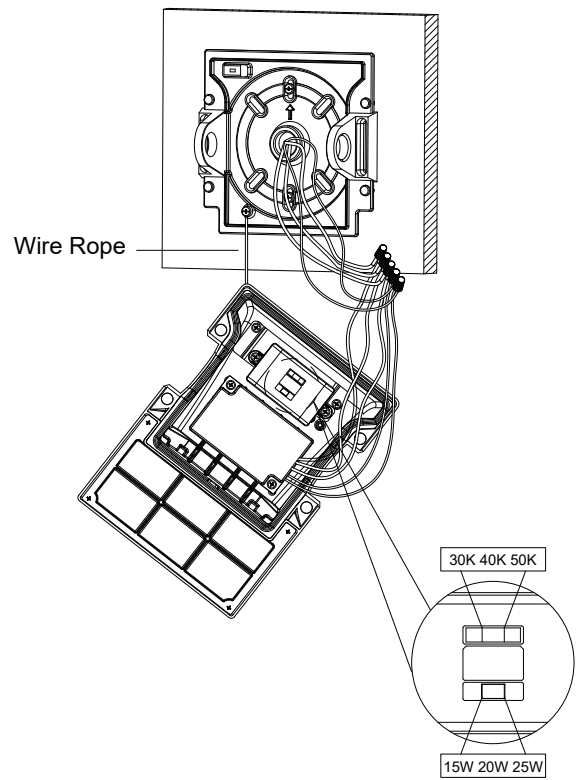
1 Unscrew the screws of the fixture with a screwdriver and remove the fixture.



3 Put and lock the fixture back on the mounting plate to finish the installation.



2 Turn the fixture over to reveal the wattage and CCT adjustment device (adjust to the required wattage and CCT as the figure);



**The Installation must be carried out by a qualified electrician.**